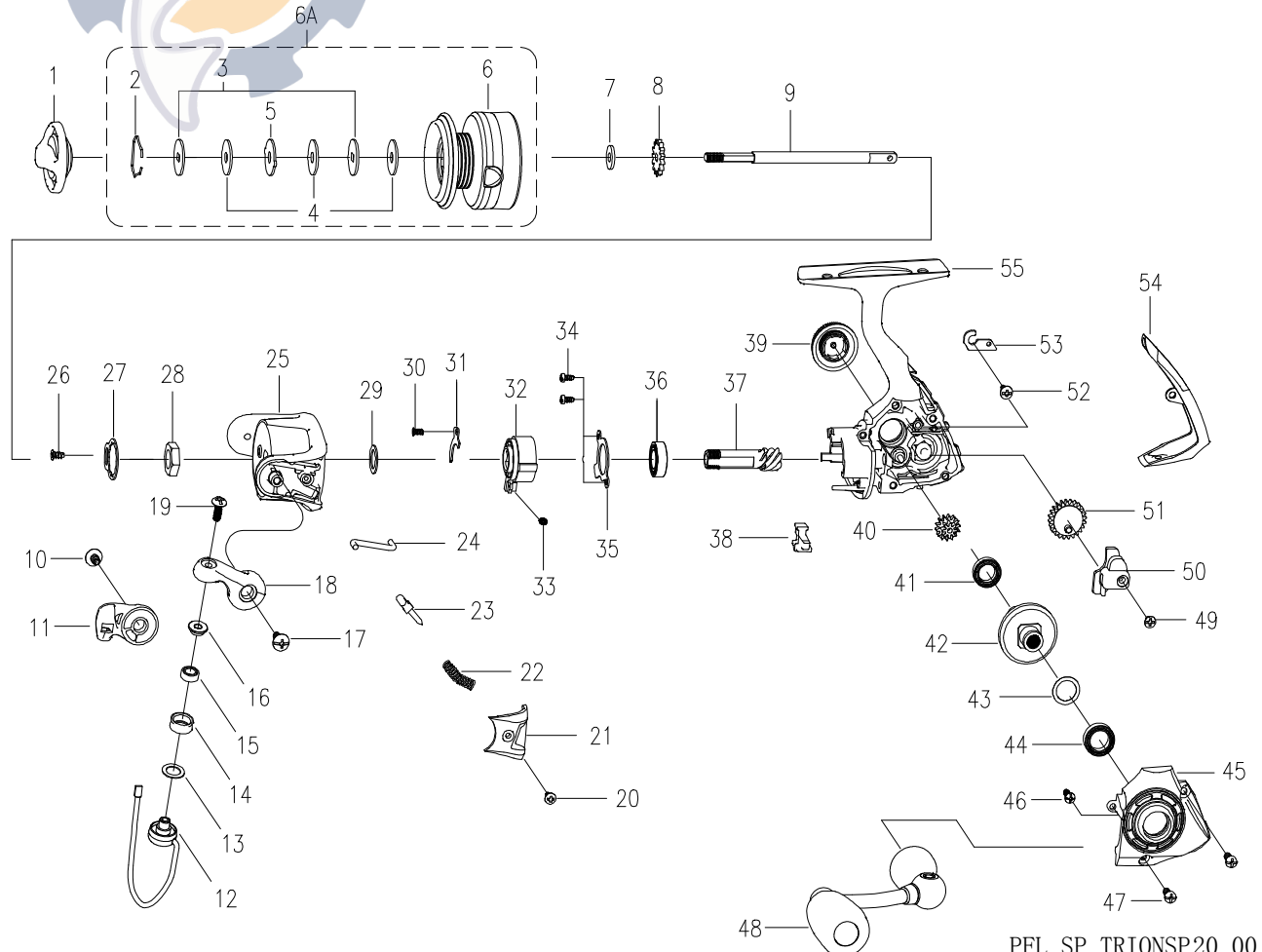


MODEL: PFL SP TRIONSP 20

ITEM	DESCRIPTION	SAP #	ITEM	DESCRIPTION	SAP #
1	DRAG KNOB ASSY	1515112	28	ROTOR NUT	1206595
2	STOP RING	1207324	29	CLUTCH WASHER	1207340
3	KEY WASHER	1205817	30	SCREW	1207341
4	DRAG WASHER	1205818	31	WASHER	1207342
5	EARED WASHER	1205879	32	ONE WAY CLUTCH	1207343
6	SPOOL SUB-ASSY	1515099	33	CLUTCH SPRING	1207344
6A	SPOOL ASSY	1515100	34	SCREW	1207345
7	SHEET WASHER	1200771	35	BEARING COVER	1207346
8	CLICK GEAR	1201821	36	BEARING	1303502
9	MAIN SHAFT	1515101	37	PINION GEAR	1249029
10	SCREW	1200777	38	N-R LEVER COVER	1515106
11	BAIL HOLDER	1515102	39	DUST CAP ASSY	1515107
12	BAIL WIRE SUB-ASSY	1515103	40	GEAR	1448600
13	WASHER	1200780	41	BEARING	1303505
14	LINE ROLLER	1515104	42	DRIVE GEAR	1448601
15	BEARING	1210763	43	GEAR WASHER	1200876
16	LINE ROLLER COLLAR	1205885	44	BEARING	1303506
17	SCREW	1200845	45	BODY COVER ASSY	1515108
18	BAIL ARM	1303499	46	SCREW	1207382
19	SCREW	1206593	47	SCREW	1205905
20	SCREW	1207332	48	HANDLE ASSY	1515109
21	ROTOR COVER	1448595	49	SCREW	1200819
22	BAIL SPRING	1207334	50	O/S SLIDER	1448604
23	BAIL ARM GUIDE	1207335	51	O/S GEAR	1227338
24	TRIP PLUNGER	1249027	52	SCREW	1205909
25	ROTOR SUB-ASSY	1515105	53	O/S SLIDER PLATE	1448605
26	SCREW	1207592	54	REAR RING	1515110
27	ROTOR NUT RETAINER	1200795	55	BODY ASSY	1515111

EXPLODED VIEW



PFL SP TRIONSP20 00